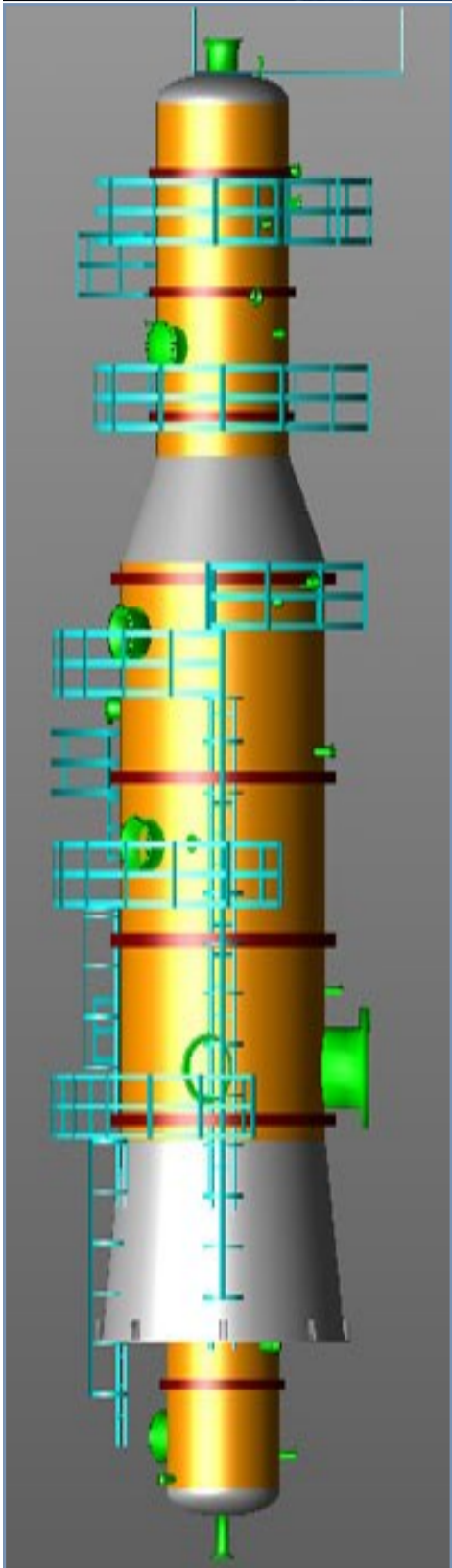




Complete solutions for your business needs



CAD DRAFTING

CAD CONVERSION

DETAILED ENGINEERING

PRESSURE VESSEL CALCULATIONS

REPAIR & ALTERATION CALCULATIONS

RE-RATING OF PRESSURE VESSELS

DESIGN APPRAISAL

PROCESS ENGINEERING

STRUCTURAL DESIGN & ANALYSIS

ELECTRICAL CAD DESIGN

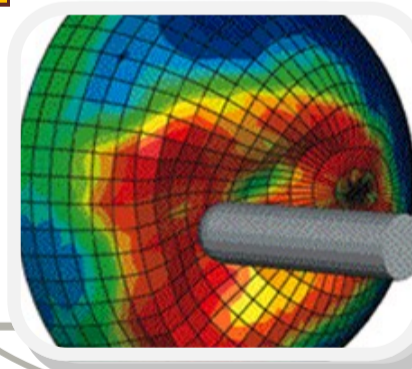
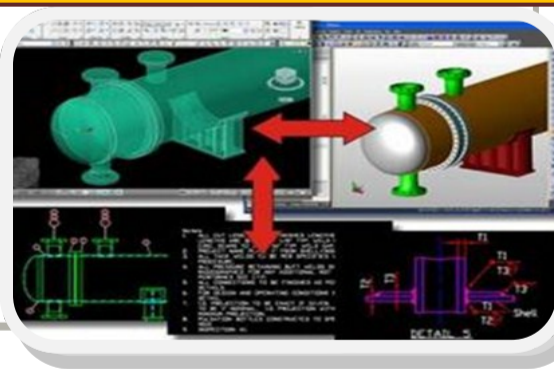
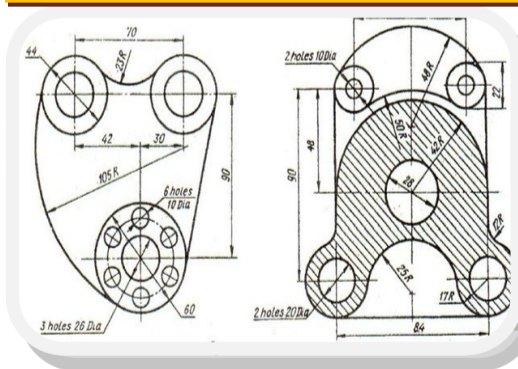
DESIGN REVIEW

FINITE ELEMENT ANALYSIS (FEA)

45°

10

Ø10



Resources at work for you

Cutech Group has extensive experience in design, analysis and re-rating of equipment, components used in refineries, chemical plants, power plants and other processing facilities. We provide a full Design and Drafting service, using the latest software.